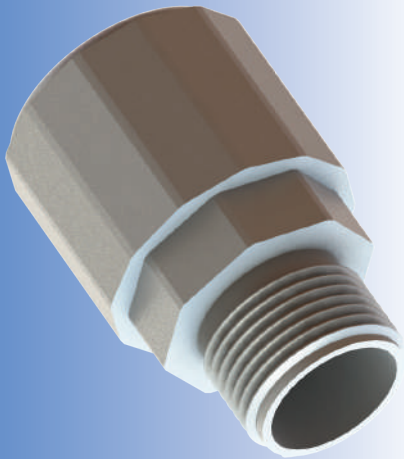


# Enclosure Couplers Polyamide

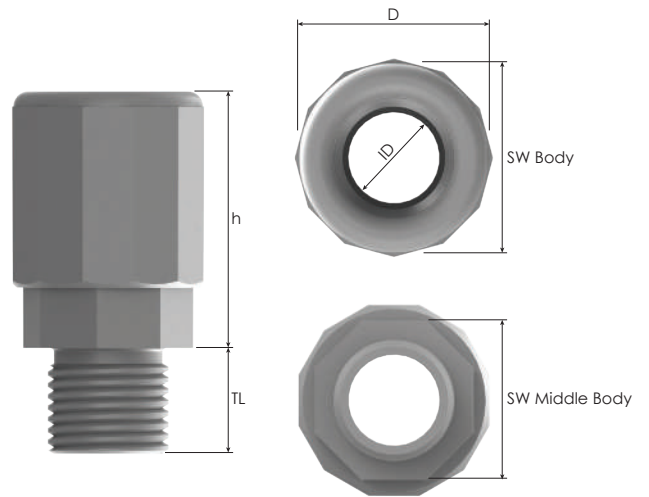


## Enclosure Couplers

- Halogen free.
- No toxic fumes when involved in a fire.
- For conduit tubes.
- One side with standard metric threads and special fitting for conduit tubes on the other side.

### Technical Details

<b>Material</b>	<b>Fitting Seal</b>	Polyamide 6 Halogene free TPE Halogene free
<b>Ingress Protection Rating</b>		IP 67
<b>Operating Temperature</b>	<b>Permanent</b>	-20 °C to +80 °C
<b>Thread Type</b>		Metric, according to EN 60423 and EN 62444
<b>Accessories</b>		• Lock nuts
<b>Remarks</b>		• We recommend the use of lock nuts to ensure IP rating for rough surfaces or through holes. • Accessories must be ordered separately.



## Thread Type **METRIC** acc. to EN 60423

Outer Thread Size (Male)	For Conduit Nominal Size	Outer Thread Length TL mm	Spanner Width		Outer Ø D mm	Inner Ø ID mm	Height H mm	Part Number	Minimum Order Quantity
			SW Body mm	SW Middle Body mm					
M16x1,5	16,0	14,0	26	21	26,3	16,5	34,5	<b>BRCF-01</b>	1500
M20x1,5	20,0	14,0	30	25	31,1	20,5	33,6	<b>BRCF-02</b>	1000
M25x1,5	25,0	14,0	35	30	35,7	25,1	34,7	<b>BRCF-03</b>	750
M32x1,5	32,0	14,0	42	37	43,0	32,6	34,5	<b>BRCF-04</b>	500
M40x1,5	40,0	19,0	50	45	51,5	40,4	42,2	<b>BRCF-05</b>	350
M50x1,5	50,0	19,0	61	55	63,4	50,7	42,1	<b>BRCF-06</b>	200
M63x1,5	63,0	19,0	74	68	77,2	58,2	42,2	<b>BRCF-07</b>	150